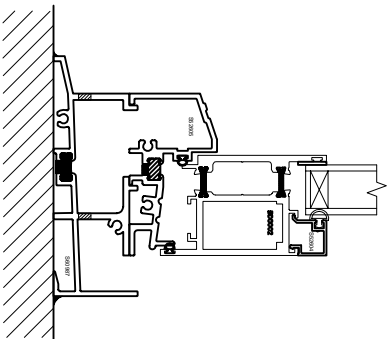


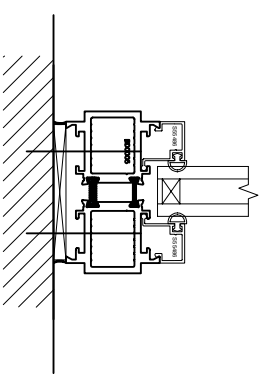
**A**

BOTTOM SASH OUT-SWING



**B**

BOTTOM RAIL IN-SWING



**C**

HORIZONTAL SILL BASE