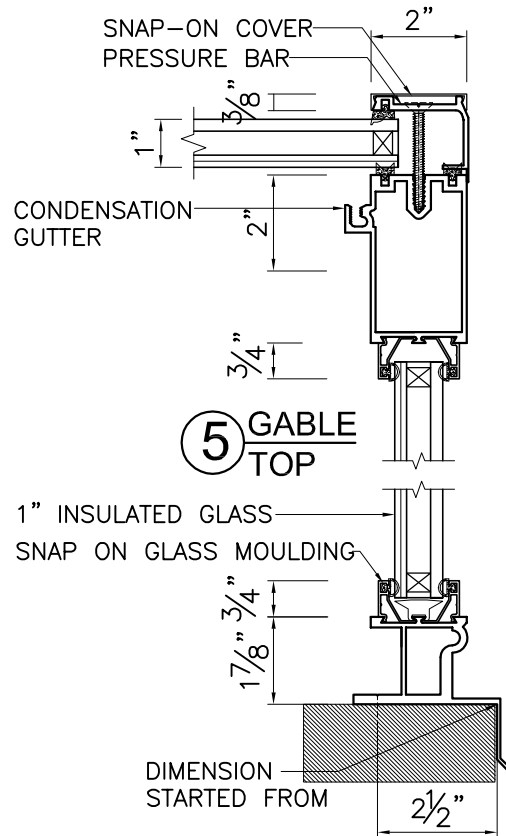


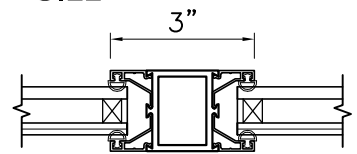
# SK2000 SERIES SKYLIGHT DOUBLE PITCH W/ GABLE ENDS



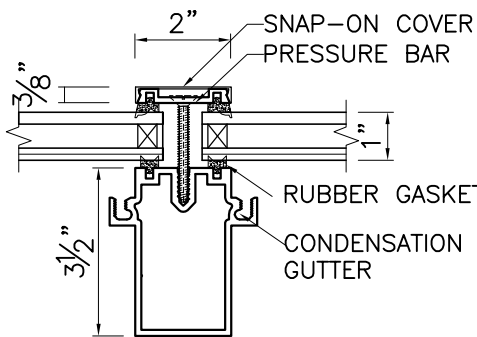
**5 GABLE TOP**

1" INSULATED GLASS  
SNAP ON GLASS MOULDING

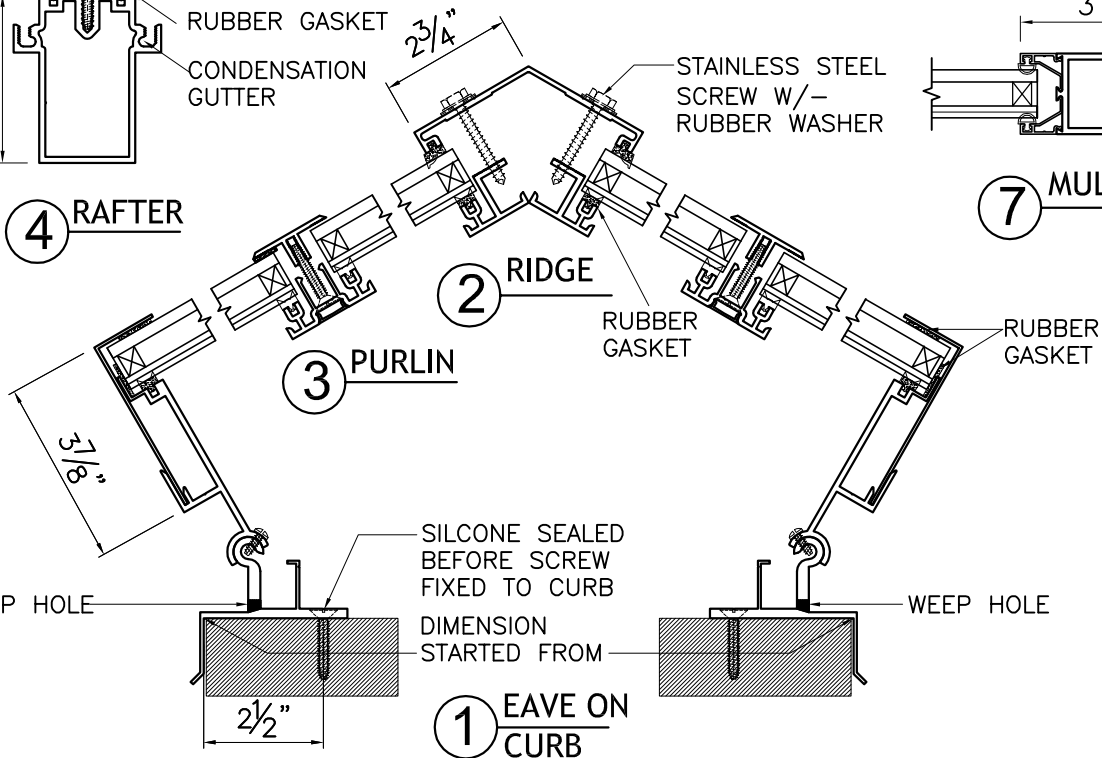
**6 GABLE SILL**




**7 MULLION**



**4 RAFTER**



**1 EAVE ON CURB**

SHEET #	Drawn by: K. S. Lee	Customer	Revisions			 <b>Gamco Corporation</b> Manufacturer of IRISION™ Products 131-10 Maple Ave. Flushing, New York 11355 Tel (718) 359-8833 Fax (718) 359-8661 E-mail: gamco 88@verizon.net	
	Checked by: C.CHAN			No.	Date		Description
	Date:	Project Name:					
	Scale: 1/4" : 1"						