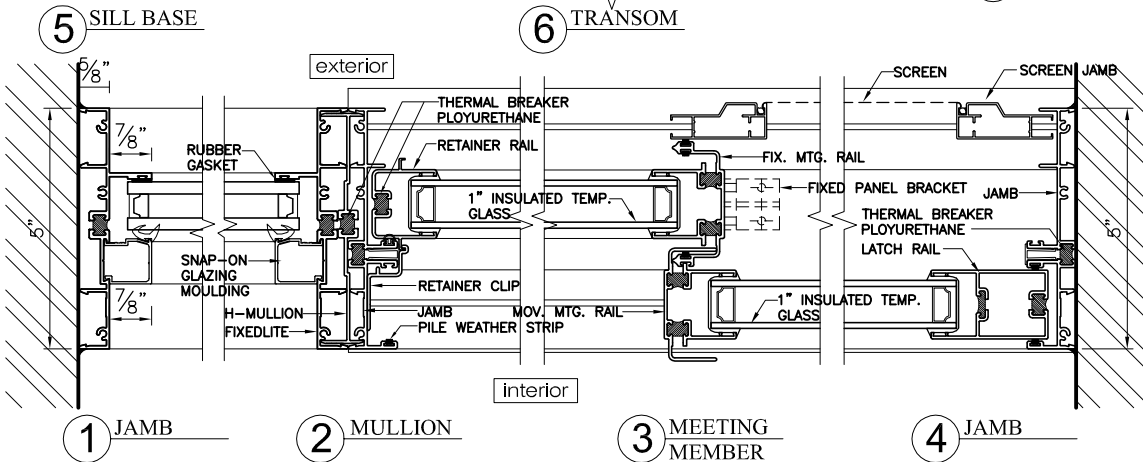
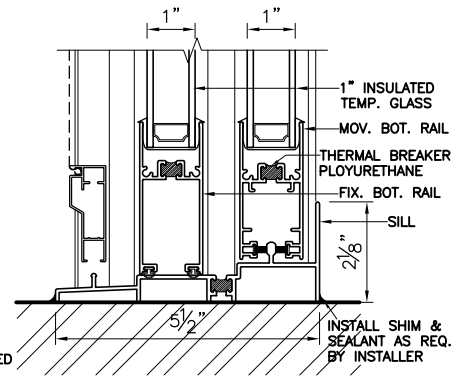
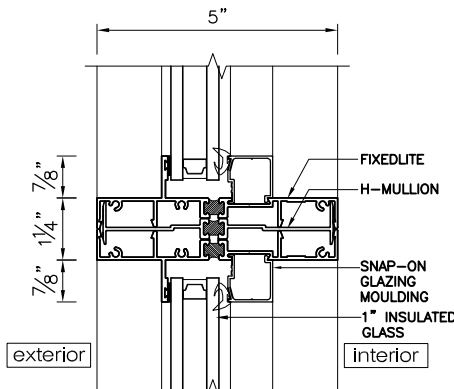
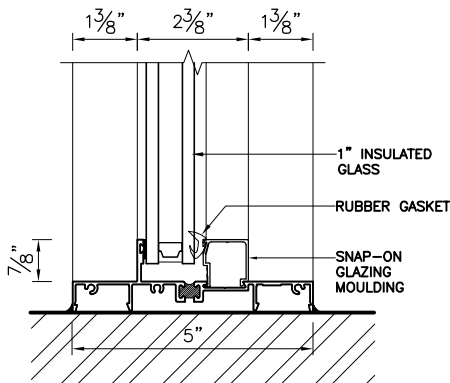
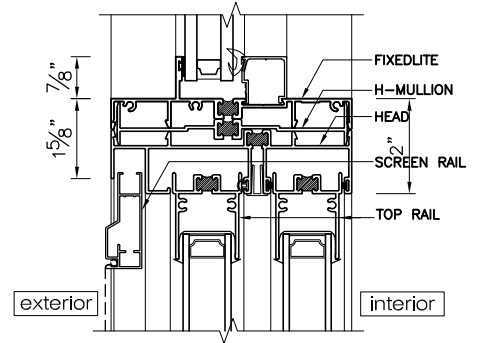
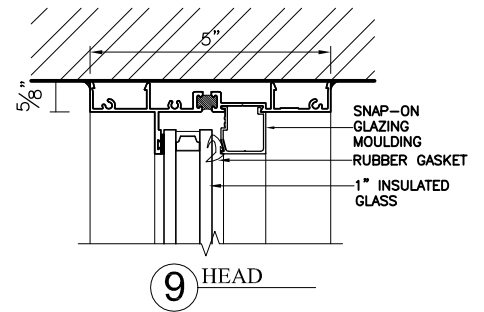



PD-2000 SERIES PATIO SLIDING DOOR  
W/ SIDELITE & TRANSOM



SHEET #	Drawn by: K. S. Lee	Customer	Revisions			 <b>Gamco Corporation</b> Manufacturer of IRISON™ Products 131-10 Maple Ave. Flushing, New York 11355 Tel (718) 359-8833 Fax (718) 359-8661 E-mail: gamco 88@verizon.net	
	Checked by: C.CHAN		No.	Date	Description		
	Date:		Project Name:				
	Scale: 1/4" : 1"						