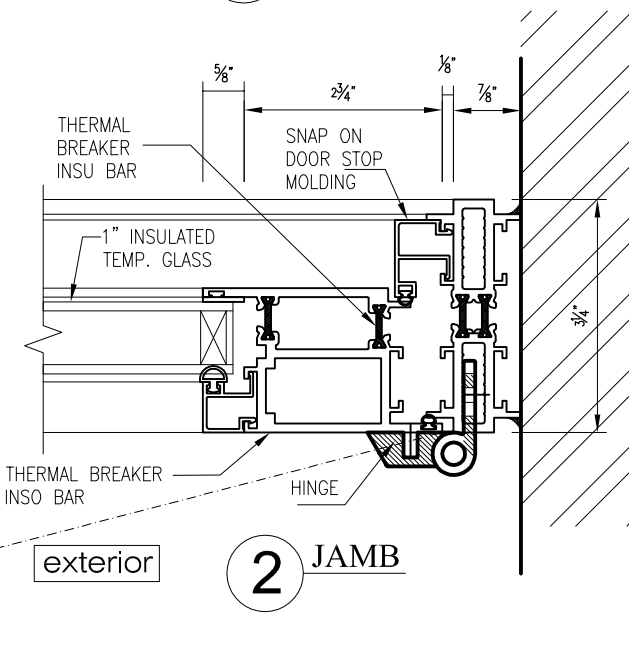
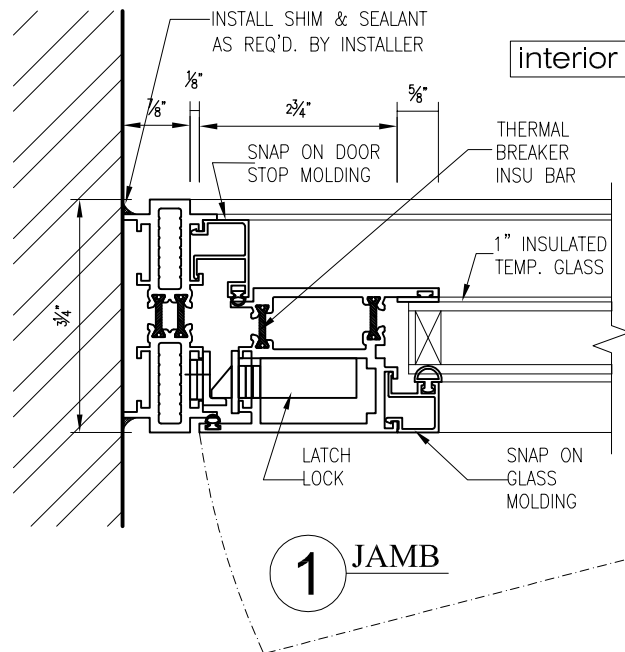
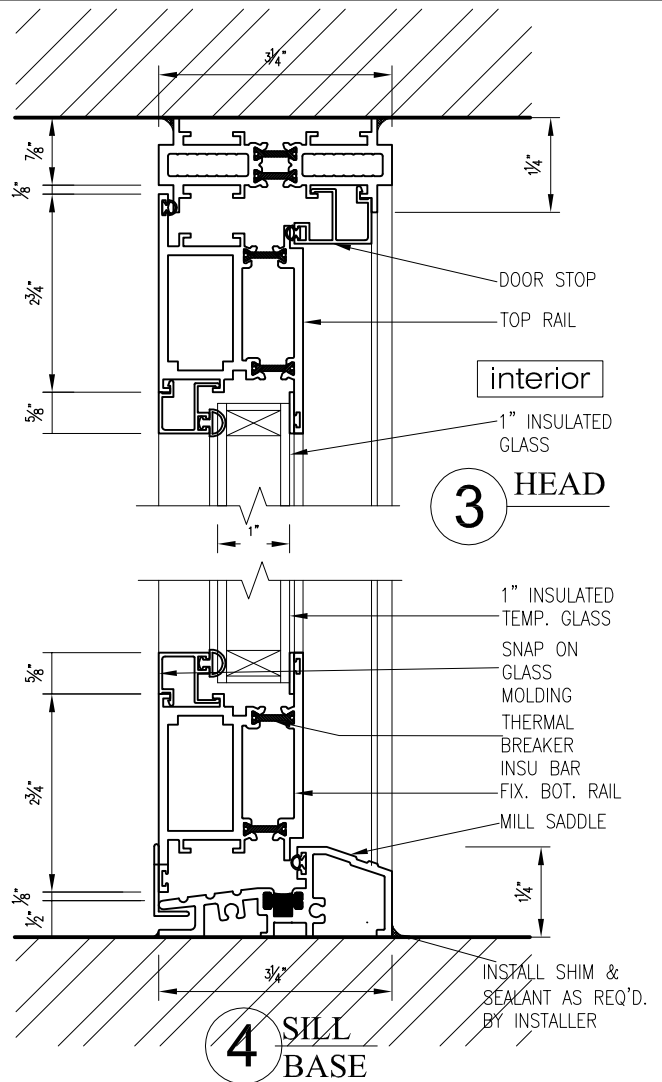


BD-325 SERIES BALCONY DOOR



SHEET #	Drawn by: K. S. Lee	Customer
	Checked by: C.CHAN	
	Date:	
	Scale: 3/8" : 1"	

Project Name:
---------------

Revisions		
No.	Date	Description



**Gamco Corporation**  
 Manufacturer of IRISION™ Products  
 131-10 Maple Ave.  
 Flushing, New York 11355  
 Tel (718) 359-8833 Fax (718) 359-8661  
 E-mail: gamco 88@verizon.net