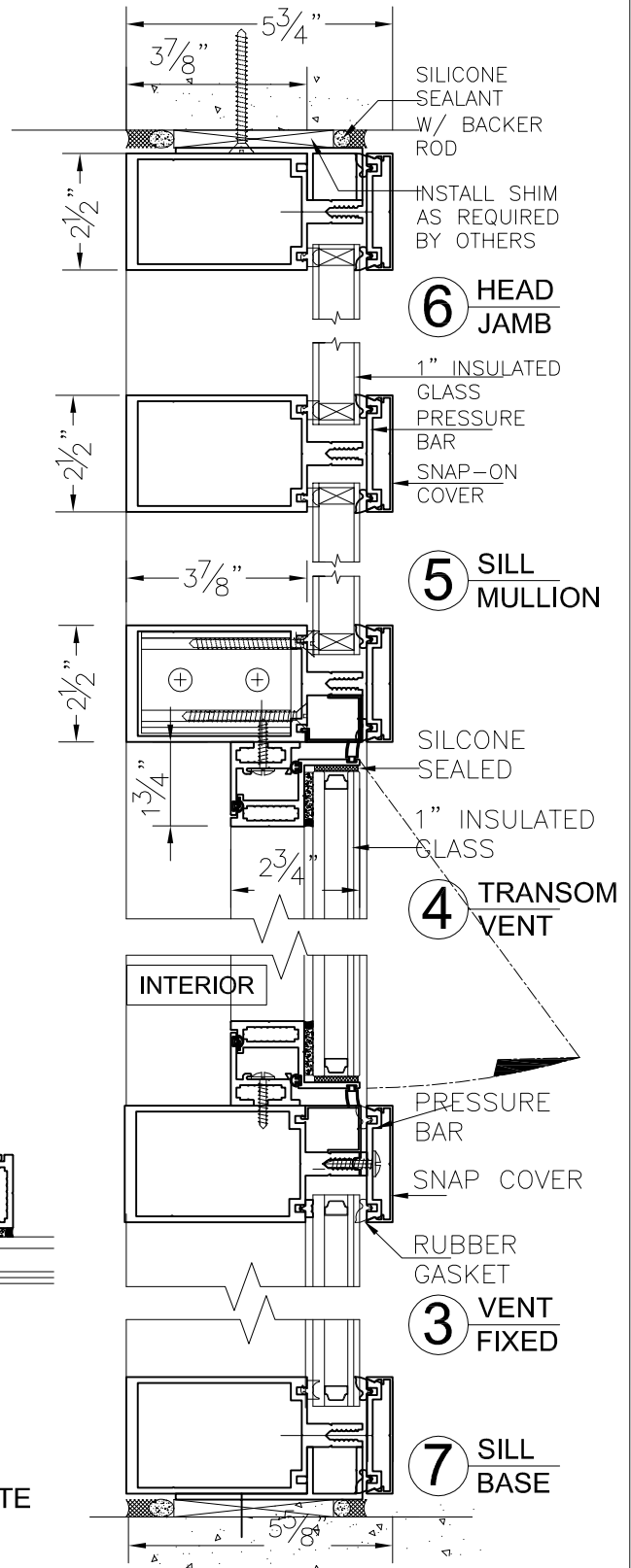
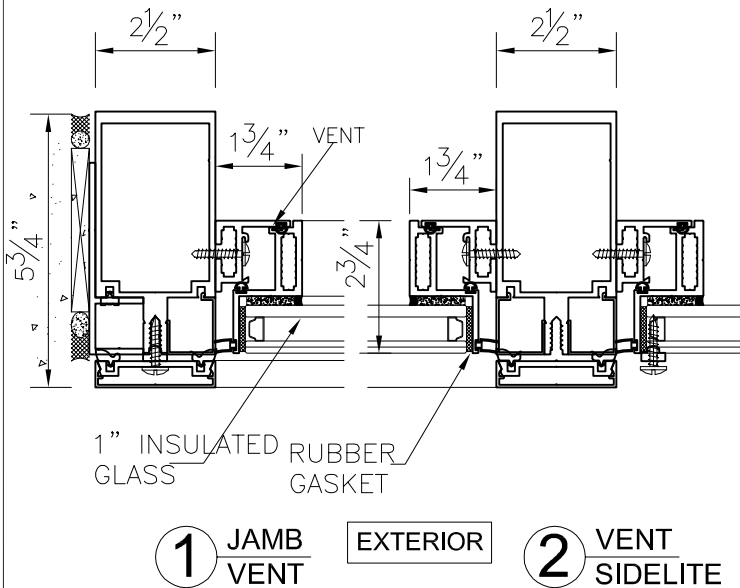



## IRISION™ CW250 SERIES CURTAIN WALL SYSTEM



SHEET #	Drawn by: K. S. Lee	Customer	Revisions			 <b>Gamco Corporation</b> Manufacturer of IRISION™ Products 131-10 Maple Ave. Flushing, New York 11355 Tel (718) 359-8833 Fax (718) 359-8661 E-mail: gamco 88@verizon.net
	Checked by: C. Chan		Project Name:	No.	Date	
	Date:					
	Scale: 1/4" : 1"					