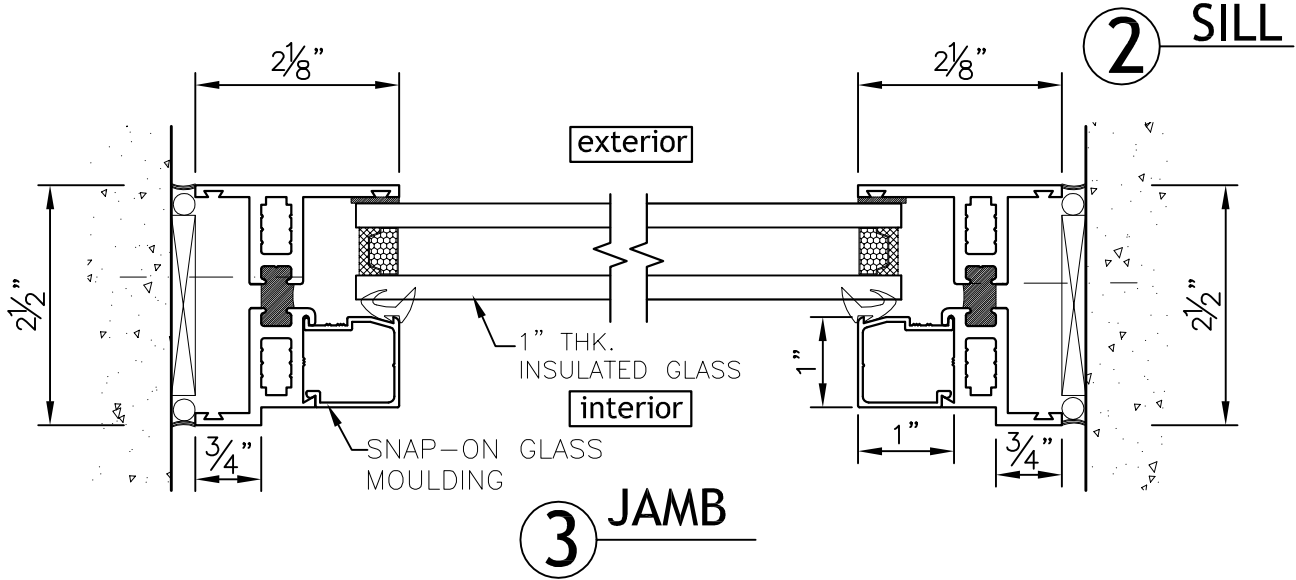
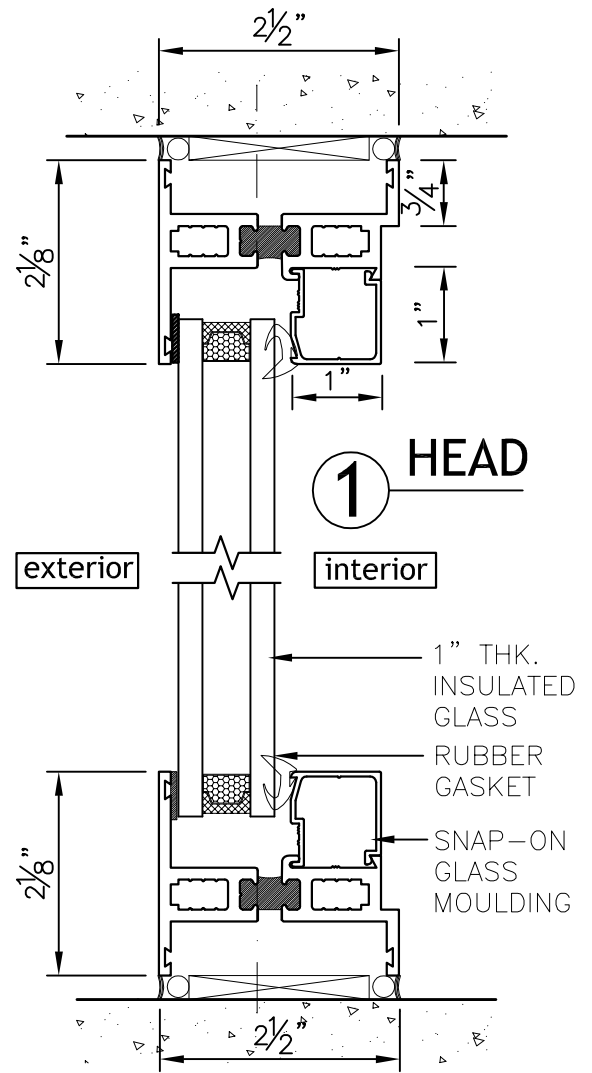


FIXED WINDOW W250HC



SHEET #	Drawn by:	K. S. Lee	Customer
	Checked by:	C. CHAN	
	Date:		
	Scale:	1/2" : 1"	

Revisions		
No.	Date	Description



Gamco Corporation
 Manufacturer of IRISION™ Products
 131-10 Maple Ave.
 Flushing, New York 11355
 Tel (718) 359-8833 Fax (718) 359-8661
 E-mail: gamco88@verizon.net