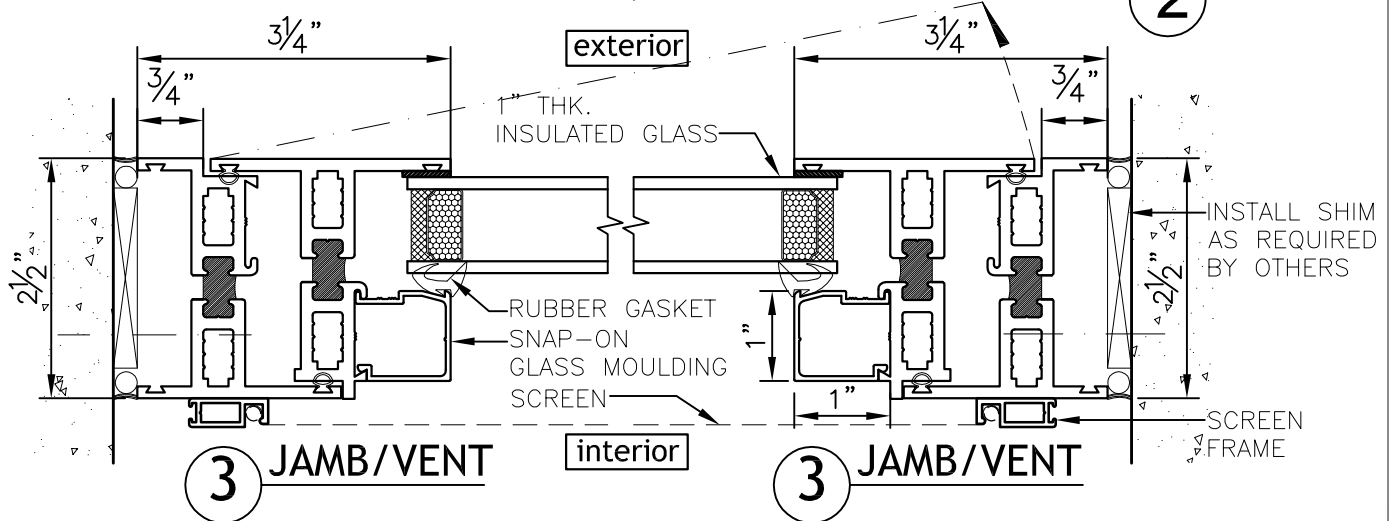
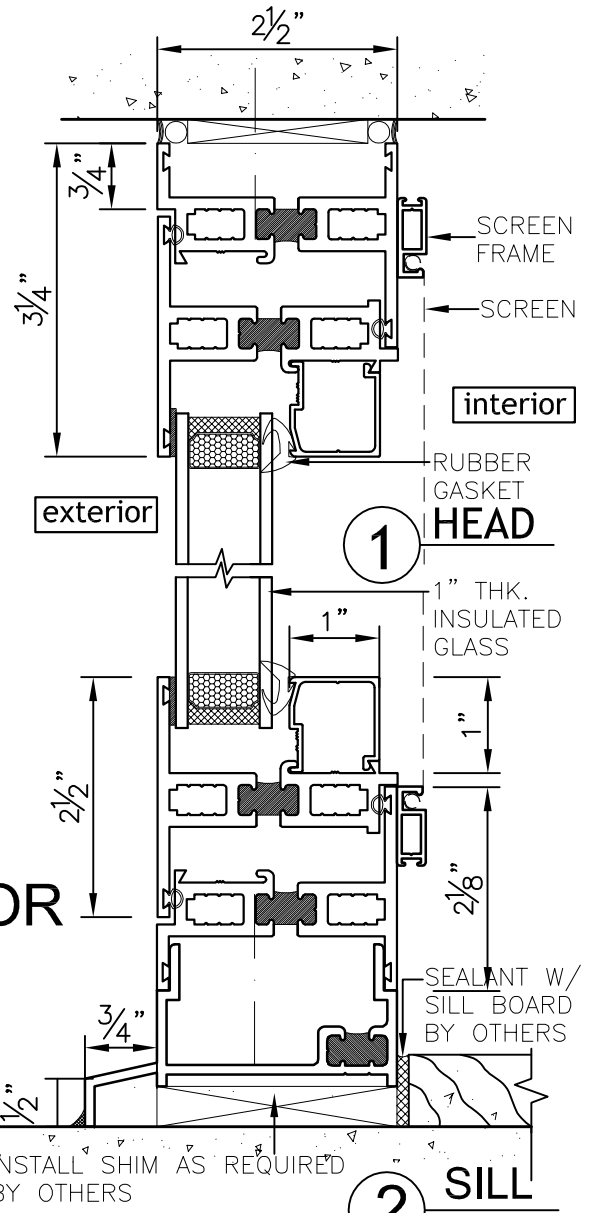


# CASEMENT WINDOW W250HC W/ SILL RECEPTOR & SCREEN



SHEET #	Drawn by:	K. S. Lee	Customer
	Checked by:	C. CHAN	
	Date:		
	Scale:	1/2" : 1"	

Revisions		
No.	Date	Description



**Gamco Corporation**  
 Manufacturer of IRISION™ Products  
 131-10 Maple Ave.  
 Flushing, New York 11355  
 Tel (718) 359-8833 Fax (718) 359-8661  
 E-mail: gamco88@verizon.net