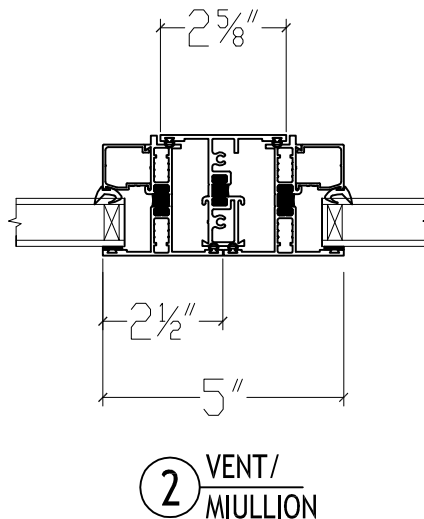
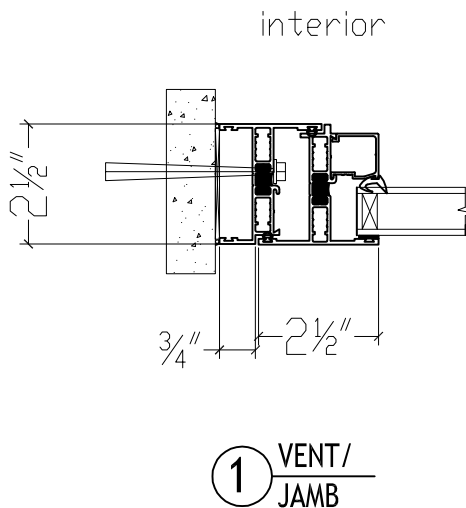
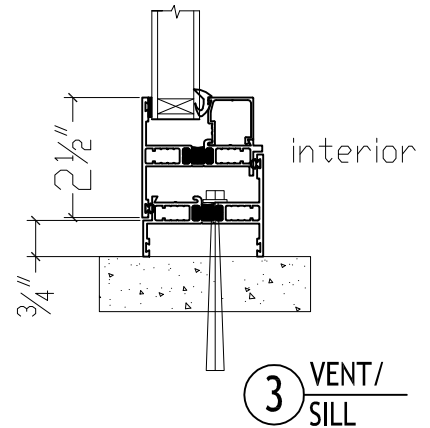
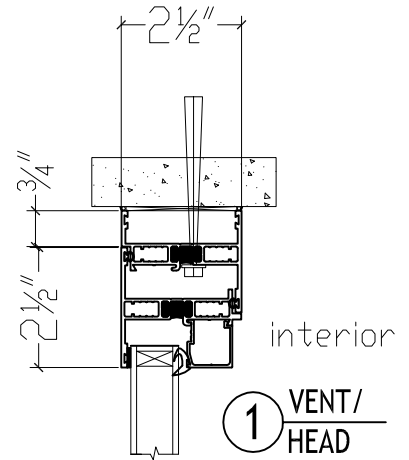


**W250C SERIES WINDOW  
TWIN CASEMENT**



SHEET #	Drawn by: C. CHAN	Customer	Revisions		
	Checked by:		No.	Date	Description
	Date:	Project Name:			
	Scale: 1/4" : 1'				



**Gamco Corporation**  
 Manufacturer of IRISION™ Products  
 131-10 Maple Ave.  
 Flushing, New York 11355  
 Tel (718) 359-8833 Fax (718) 359-8661  
 E-mail: gamco88@verizon.net