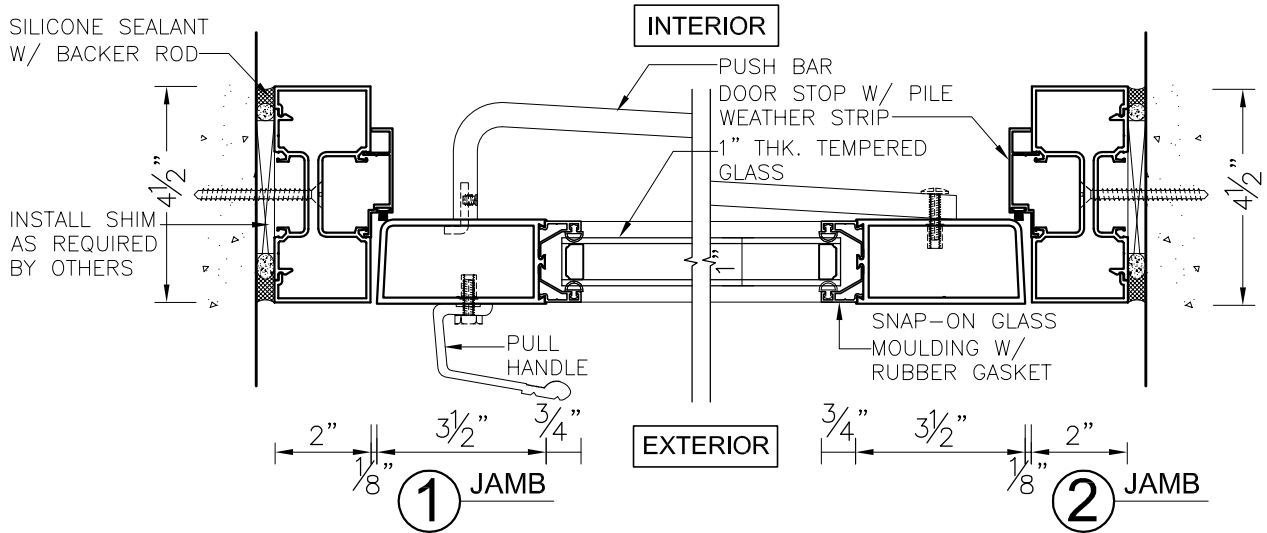
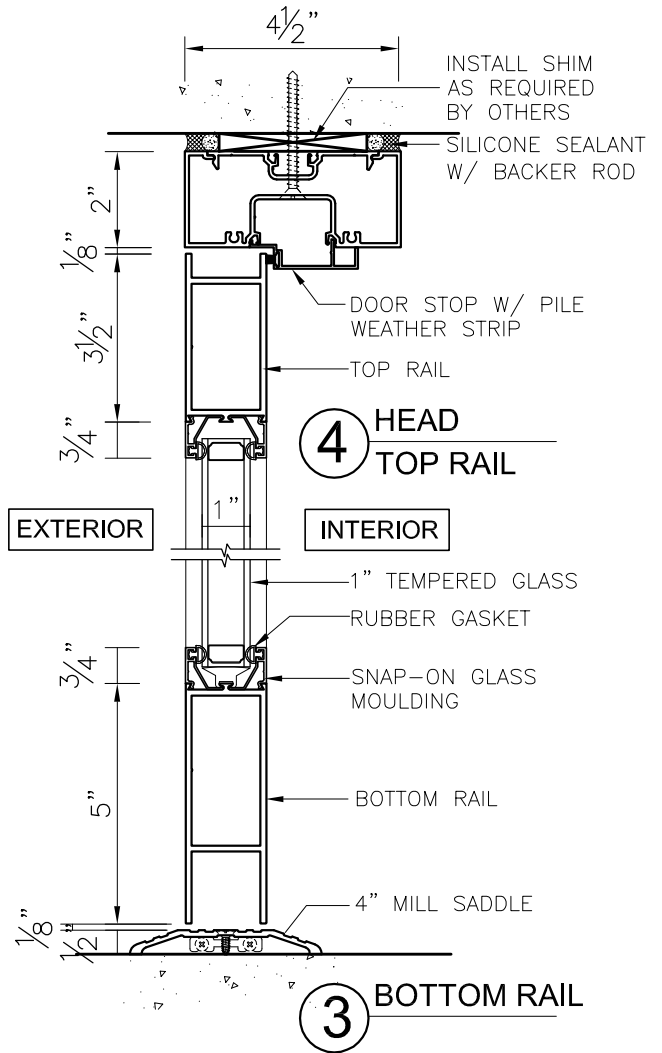


**IRISION™ D350 SERIES
MEDIUM STILE DOOR**



SHEET #	Drawn by: K. S. Lee	Customer
	Checked by: C.CHAN	
	Date:	
	Scale: 1/4" : 1"	

Project Name:

Revisions		
No.	Date	Description



Gamco Corporation
 Manufacturer of IRISION™ Products
 131-10 Maple Ave.
 Flushing, New York 11355
 Tel (718) 359-8833 Fax (718) 359-8661
 E-mail: gamco 88@verizon.net