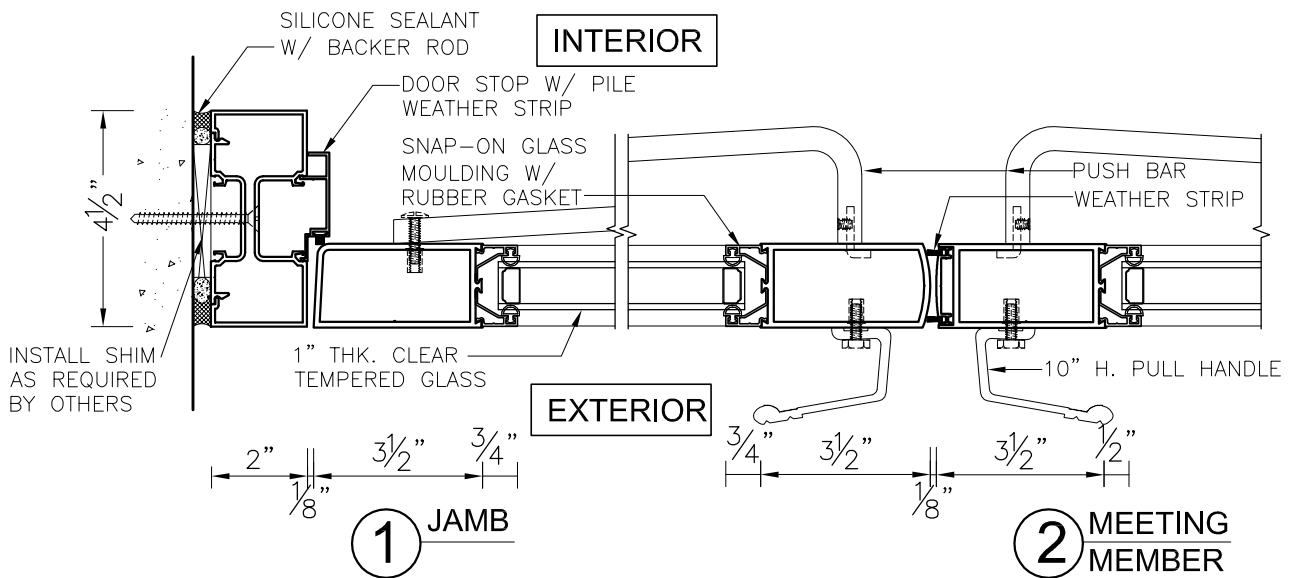
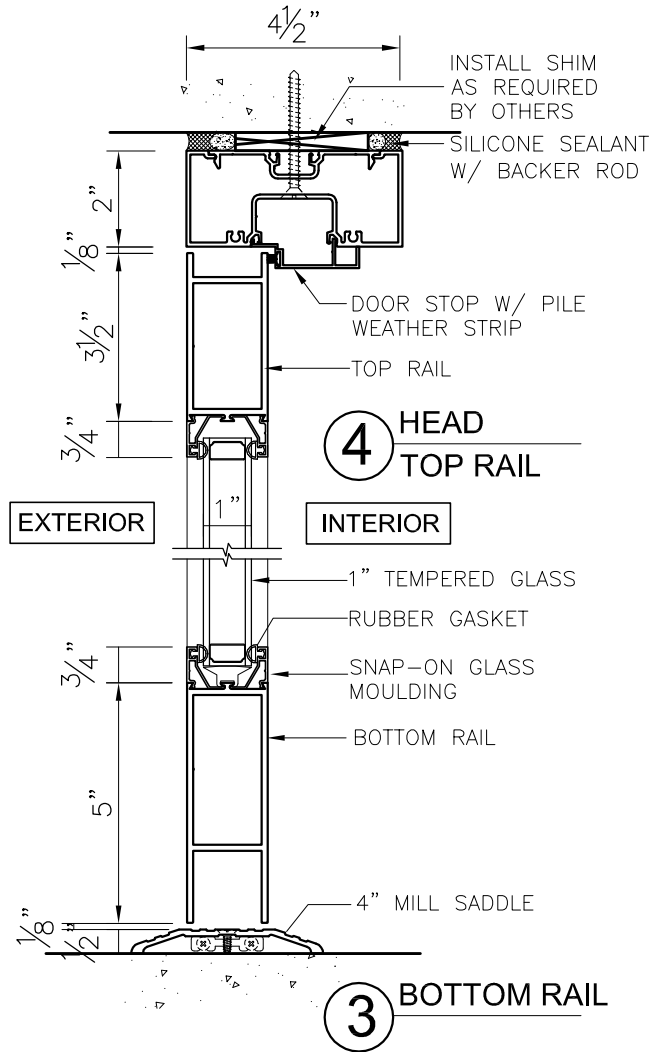



IRISION™ D350 SERIES MEDIUM STILE DOOR



| | | | | | |
|---------|---------------------|----------|---------------|------|-------------|
| SHEET # | Drawn by: K. S. Lee | Customer | Revisions | | |
| | Checked by: C.CHAN | | No. | Date | Description |
| | Date: | | Project Name: | | |
| | Scale: 1/4" : 1" | | | | |



Gamco Corporation
 Manufacturer of IRISION™ Products
 131-10 Maple Ave.
 Flushing, New York 11355
 Tel (718) 359-8833 Fax (718) 359-8661
 E-mail: gamco 88@verizon.net