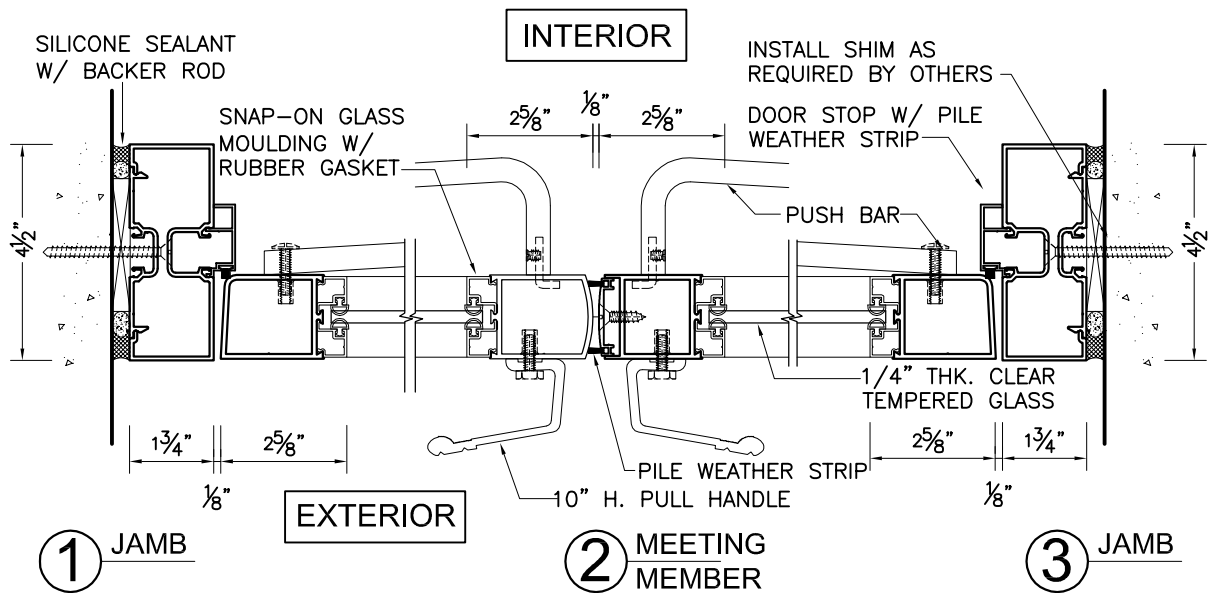
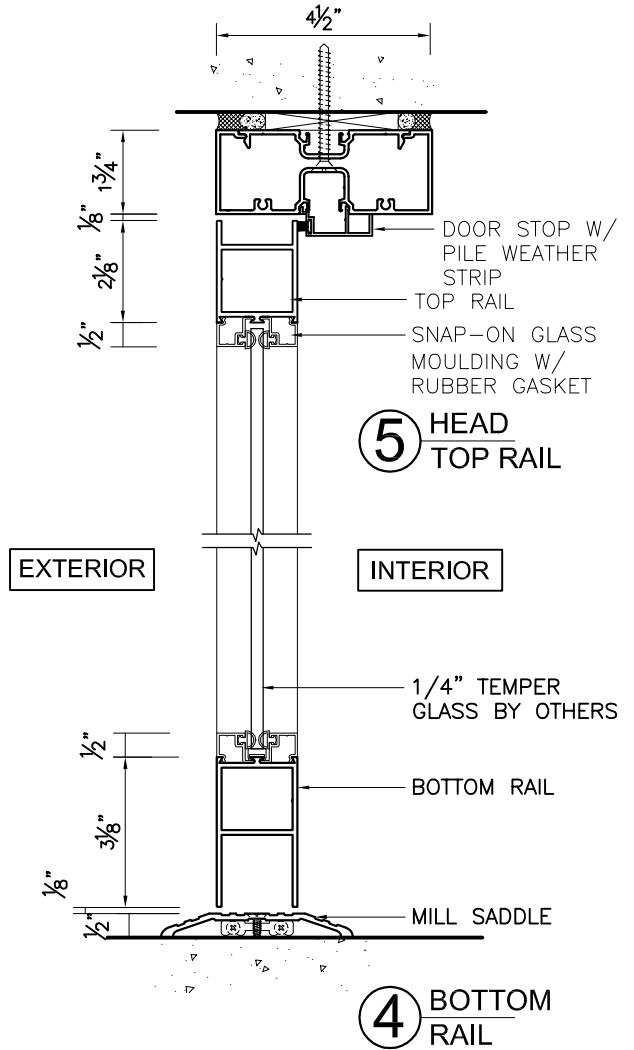


IRISION™ D200 SERIES NARROW STILE DOOR



SHEET #	Drawn by: K. S. Lee	Customer	Revisions		
	Checked by: C.CHAN		No.	Date	Description
	Date:	Project Name:			
	Scale: 1/4" : 1"				



Gamco Corporation
 Manufacturer of IRISION™ Products
 131-10 Maple Ave.
 Flushing, New York 11355
 Tel (718) 359-8833 Fax (718) 359-8661
 E-mail: gamco 88@verizon.net